

SURFACE MOUNT DEVICES

PRESSURE REGULATORS AND VALVES

SERIES FA

TECHNICAL BULLETIN 207A

1 1/8" IGS Components

Counterbore 'C' Seal
Compatible Design

TABLE 1. VALVE AND REGULATOR CONFIGURATIONS

AP 3545 Pneumatic Valve, NC	AP 3585 Pneumatic Valve, NO	AP 500 Pressure Regulator
AP 3625 Manual Valve, 1/4 turn	Top View	Common Bottom View
<ul style="list-style-type: none"> ■ Valve and pressure regulator specification determined by series selection. Please refer to individual data sheet for the selected series to review specifications and materials of construction. ■ Bottom views are common to all 'FA' series components. ■ AP 3545 and AP 3585 are equivalent to AP 3540 and AP 3580 respectfully. ■ AP 3625 has optional lock out / tag out feature. ■ *TK option, tall knob, OAH 4.9 inch (125mm) ■ Optional configurations and features available, please consult your local distributor or the factory directly. 		

SURFACE MOUNT

TABLE 2. VALVE AND REGULATOR PORTING CONFIGURATION

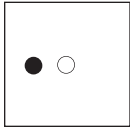
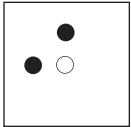
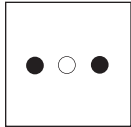
 <p>2P</p>	 <p>3PG</p>	 <p>3PJ</p>	<p>○ – INLET</p> <p>● – OUTLET</p>
<ul style="list-style-type: none"> ■ Inlet port denoted with a circle. Inlet defined as upstream and connected to the region below the seat. ■ Outlet port denoted with a dot. Outlet defined as downstream and connected to the region below the diaphragm and above the seat. ■ Valves may be used in either flow direction – conventional inlet to outlet or the reverse, outlet to inlet. ■ Pressure regulators must be only used in one flow direction – inlet to outlet. ■ Pressure regulator porting limited to the 2P configuration. 			

TABLE 3. ORDERING INFORMATION

Series AP 3625	S Material	M Surface Finish Options	3PG Porting*	FA
AP 3545 AP 3585 AP 3625 AP 500		M = 10μ in. Ra V = 7μ in. Ra X = 5μ in. Ra	2P = 2 Port 3PG = 3 Port 3PJ = 3 Port	FA = 1 1/8" Surface Mount VS = Vespel Seat TK = Tall Knob (AP 500 only)
S = 316L SS Secondary Remelt				* Valves available with each of the porting options. Pressure regulators only available in a 2P configuration.

AP Tech makes no claims regarding surface mount design's suitability for a given purpose or application.
 All specifications and dimensions subject to change without notice.