

AP PL225 Operation Instructions (#12P22500 Rev. 1)

Description: The AP PL225 is used to lock the AP3625 manual valve in the closed position.

Operation procedure (refer to Figures A-D on the back side of this sheet):

1. Press on the label with your thumb to locate the pin hole (1) under the label and make a hole in the label. See Figure A on the reverse side to locate the hole. Old revisions of the knob built prior to September 2000 do not have a hole and will require a knob retrofit kit.

Note: Finding the hole in the knob may require some pressure – it is located on top of the knob, 0.28 inch (7mm) from the center, and either 45, 135, 225, or 315 degrees clockwise from the handle. The typical hole location is 135 degrees clockwise from the handle. The hole in the label can be made with either a sharp Exacto knife (be careful!) or by pressing the pin (3) through the label to “punch out” a hole.

2. Rotate the AP3625 handle (2) clockwise until the stop is reached to verify the valve is closed (this is 1/4 turn from full open).
3. Insert the PL225 spring pin (3) into the hole (1) on the top of the AP3625 knob and drop the PL225 over the knob. The spring pin should be fully inserted into the knob.
4. Slide the PL225 housing (4) over the AP3625 knob exposing an opening (5) for a lock. If the feet of the housing hit against the knob and will not easily slide forward, this indicates the valve is not completely closed – attempt to close the AP3625 valve fully by turning the handle clockwise.
5. Install padlock (or multi-lock hasp) through opening on PL225 (Fig. D)
6. When ready to remove PL225 lockout device, unlock and remove the padlock, slide the PL225 housing away from the AP3625 knob and lift the PL225 off the knob. Rotating the AP3625 valve knob counterclockwise 1/4 turn will open the valve.

NOTE: AP3625 VALVE SHOWN IN CLOSED POSITION

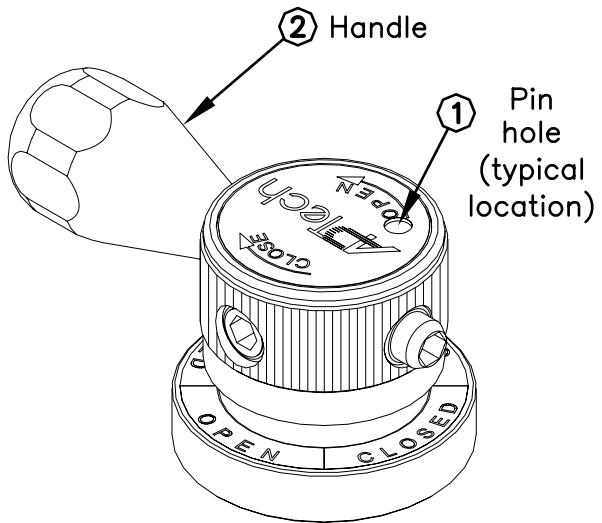


FIGURE A

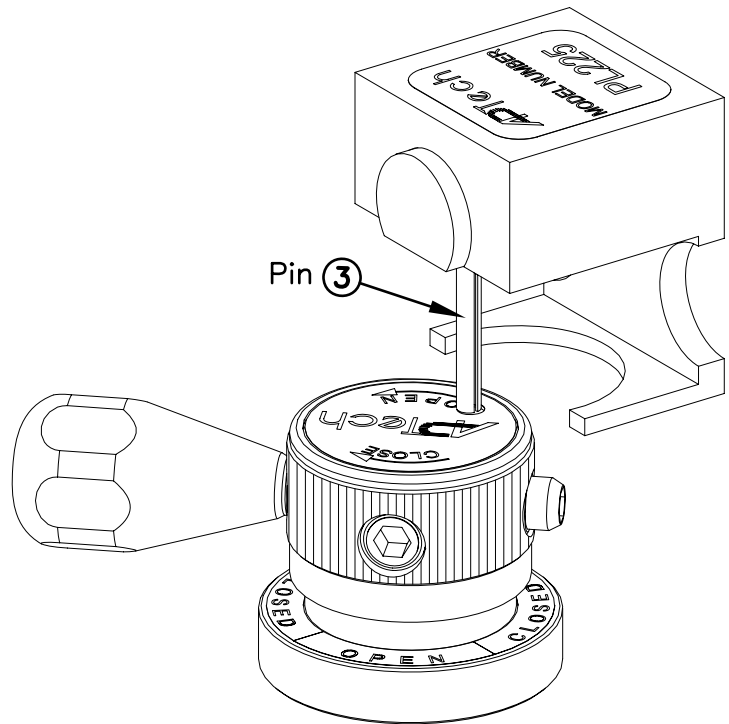


FIGURE B

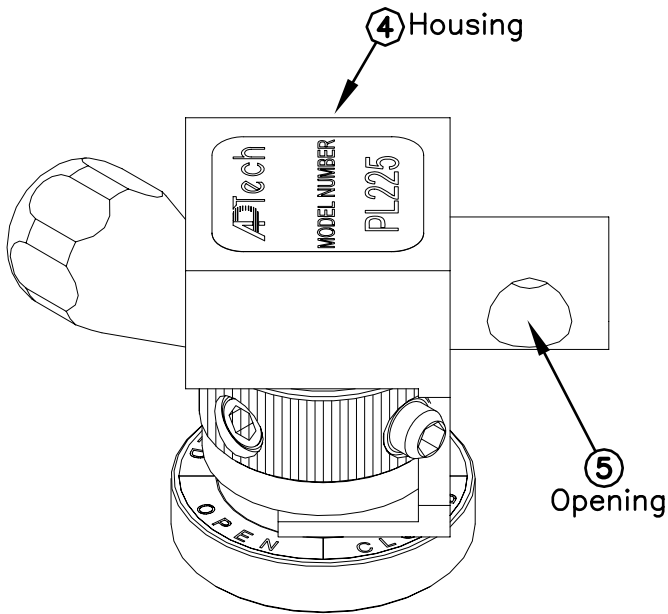


FIGURE C

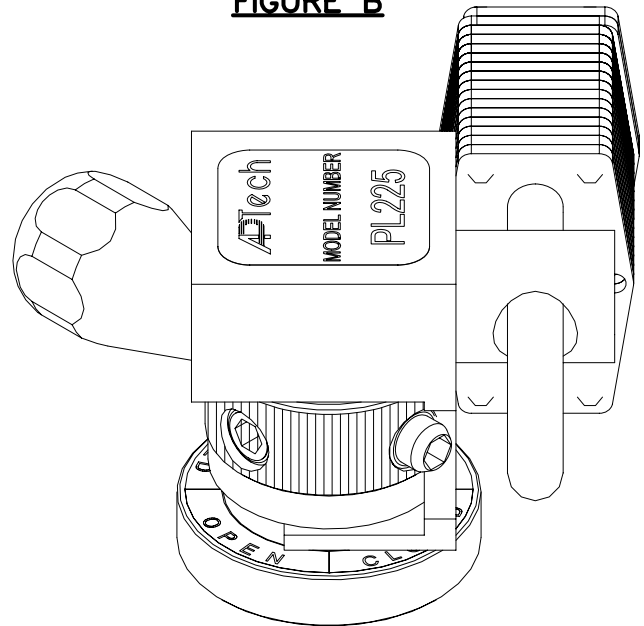


FIGURE D

19P22500
10/28/11