



SERIES AP 64

SPRINGLESS ALL WELDED CHECK VALVE

Defining the new standard of safety & ultraclean

- True Springless Design, free of springs or poppets
- SS 316L VAR secondary remelt material
- 3,500 psig rated (241 bar)
- Low cracking pressure
- Reseals with minimal back pressure
- 15, 10 or 5 $\mu\text{in.}$ Ra max electropolished finish with proper surface chemistry
- DI cleaned and baked dry
- Manufactured to meet UHP requirements
- Installation and operating instructions available at www.aptech-online.com in the Tech Briefs section

Operating Parameters

Source pressure	vacuum to 3500 psig (241 bar)
Cracking pressure*	3 psi (0.23 bar) differential
Maximum backpressure	3500 psig (241 bar)
Proof pressure	150% of operating pressure
Burst pressure	300% of operating pressure

*Cracking pressure is a nominal value which may vary in specific applications due to pressure, temperature and system variables such as length of time between cracking.

Other Parameters

Inlet & outlet connectors	1/4 in. face seal or tube weld
Flow coefficient (Cv)	0.4 max
Internal volume	0.122 in. ³ (2cm ³)
Operating temperature*	14° to +160° F (-10° to +71°C)
Surface finish	15 $\mu\text{in.}$ (0.4 μm) Ra max standard 10 $\mu\text{in.}$ (0.25 μm) and 5 $\mu\text{in.}$ (0.13 μm) optional Optional surface finishes meet or exceed 5 μin Ra average
Inboard leakage	2 x 10 ⁻¹⁰ sccs
Outboard leakage	2 x 10 ⁻¹⁰ sccs at 500 psig

*The operating temperature rating is based upon maximum pressure applied to outlet of device with upstream vented to atmosphere. Optional Neoprene seal is limited to a maximum temperature of 122°F (50°C). A lower operating pressure may increase the maximum temperature rating.

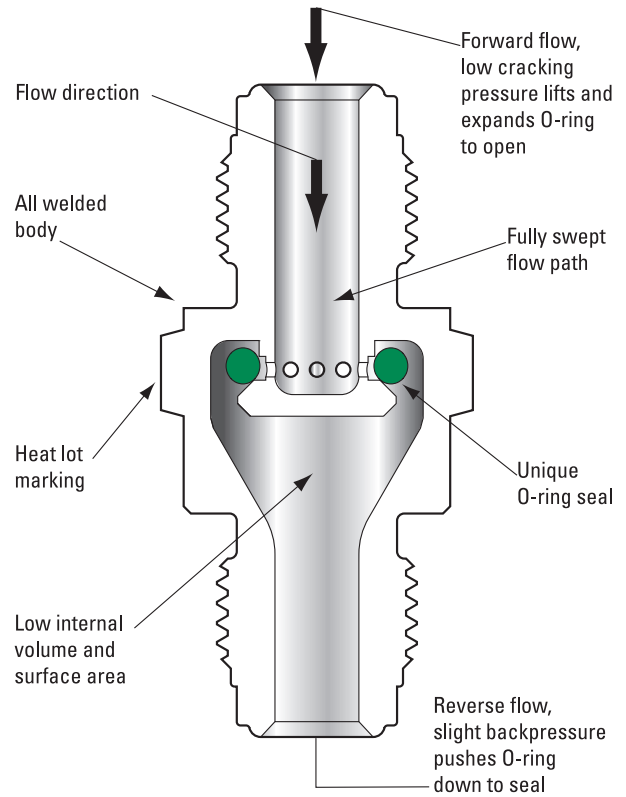
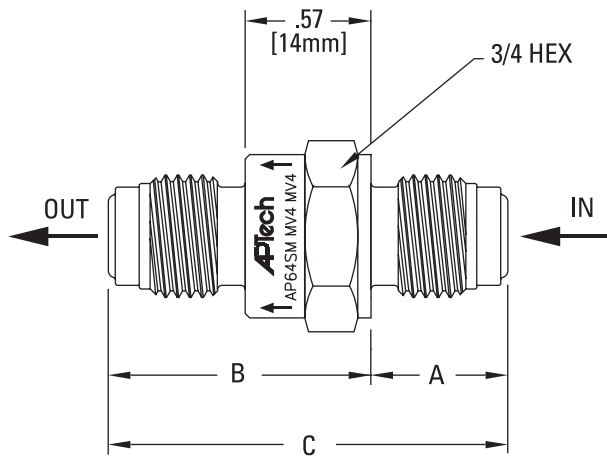
Materials

Series AP 64 S	
Wetted Parts	
Body	316L SS secondary remelt
Finish	electropolished and passivated
Seal	Fluoroelastomer / FKM (Neoprene / polychloroprene optional)

All specifications subject to change without notice.

ULTRACLEAN TECHNOLOGY BACKED BY SERVICE AND SUPPORT

DIMENSIONAL INFORMATION



DIMENSION CHART

Connectors (inlet x outlet)	A		B		C	
	in [±.02]	mm	in [±.02]	mm	in [±.02]	mm
MV4 x MV4	.62	16	1.19	30	1.81	46
MV4 x FV4	.62	16	1.50	38	2.12	54
FV4 x FV4	.93	24	1.50	38	2.43	62
FV4 x MV4	.93	24	1.19	30	2.12	54
TW4 x TW4	.34	9	.91	23	1.25	32

Metric dimensions are for reference only.

CAUTION: Product selection is the sole responsibility of the user, regardless of any recommendations or suggestions made by the factory. The user shall make selections based upon their own analysis and testing with regard to function, material compatibility and product ratings. Proper installation, operation and maintenance are also required to assure safe, trouble free performance.

ORDERING INFORMATION

Sample Order Number		AP 64SM MV4 MV4 NP	
AP 64 Series	AP 64	MV4 MV4 Connections Inlet / Outlet	FV4 = 1/4 inch face seal female MV4 = 1/4 inch face seal male TW4 = 1/4 inch tube stub weld Optional connections available
S Material	S = Stainless steel (SS)	NP Option	NP = Neoprene / polychloroprene seal*
M Surface Finish Options	M = 10 µin. Ra max.		*Nominal cracking pressure 6 psi (0.4 bar) differential.

AP Tech has product options and variations which are not documented in data sheets. If you have a model number that is not defined by the ordering information, please consult the factory or your local representative.